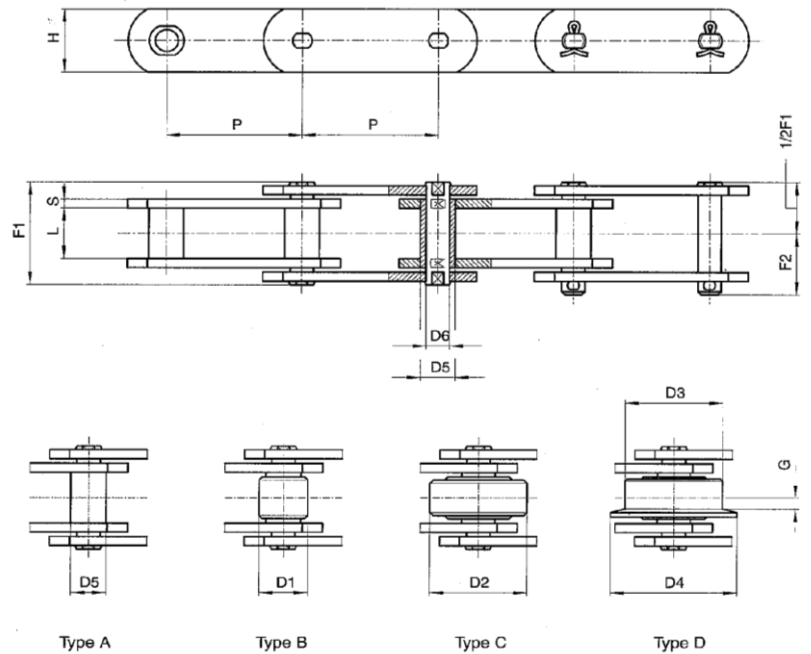


# Conveyor Chain acc Din 8165

For Material & Bulk Handling Conveyor Systems  
(metric pitches / solid pin chains)



| DIN<br>N° | P<br>mm | L<br>mm | D1<br>mm | D2<br>mm | D3<br>mm | D4<br>mm | G<br>mm | D5<br>mm | D6<br>mm | H<br>mm | S<br>mm | F1<br>mm | F2<br>mm | Breaking load |     |
|-----------|---------|---------|----------|----------|----------|----------|---------|----------|----------|---------|---------|----------|----------|---------------|-----|
|           |         |         |          |          |          |          |         |          |          |         |         |          |          | kN            | kN* |
| FV140     | 100     | 35      | 36       | 60       | 80       | 100      | 9       | 26       | 18       | 45      | 6       | 67       | 38       | 145           | 180 |
| FV140     | 125     | 35      | 36       | 60       | 80       | 100      | 9       | 26       | 18       | 45      | 6       | 67       | 38       | 145           | 180 |
| FV140     | 160     | 35      | 36       | 60       | 80       | 100      | 9       | 26       | 18       | 45      | 6       | 67       | 38       | 145           | 180 |
| FV140     | 200     | 35      | 36       | 60       | 80       | 100      | 9       | 26       | 18       | 45      | 6       | 67       | 38       | 145           | 180 |
| FV140     | 250     | 35      | 36       | 60       | 80       | 100      | 9       | 26       | 18       | 45      | 6       | 67       | 38       | 145           | 180 |
| FV180     | 125     | 45      | 42       | 70       | 100      | 125      | 13      | 30       | 20       | 50      | 8       | 86       | 49       | 190           | 250 |
| FV180     | 160     | 45      | 42       | 70       | 100      | 125      | 13      | 30       | 20       | 50      | 8       | 86       | 49       | 190           | 250 |
| FV180     | 200     | 45      | 42       | 70       | 100      | 125      | 13      | 30       | 20       | 50      | 8       | 86       | 49       | 190           | 250 |
| FV180     | 250     | 45      | 42       | 70       | 100      | 125      | 13      | 30       | 20       | 50      | 8       | 86       | 49       | 190           | 250 |
| FV180     | 315     | 45      | 42       | 70       | 100      | 125      | 13      | 30       | 20       | 50      | 8       | 86       | 49       | 190           | 250 |
| FV250     | 160     | 55      | 50       | 80       | 125      | 55       | 15      | 36       | 26       | 60      | 8       | 97       | 55       | 275           | 300 |
| FV250     | 200     | 55      | 50       | 80       | 125      | 55       | 15      | 36       | 26       | 60      | 8       | 97       | 55       | 275           | 300 |
| FV250     | 250     | 55      | 50       | 80       | 125      | 55       | 15      | 36       | 26       | 60      | 8       | 97       | 55       | 275           | 300 |
| FV250     | 315     | 55      | 50       | 80       | 125      | 55       | 15      | 36       | 26       | 60      | 8       | 97       | 55       | 275           | 300 |
| FV250     | 400     | 55      | 50       | 80       | 125      | 55       | 15      | 36       | 26       | 60      | 8       | 97       | 55       | 275           | 300 |
| FV315     | 160     | 65      | 60       | 90       | 140      | 175      | 18      | 42       | 30       | 70      | 10      | 113      | 70       | 370           | 480 |
| FV315     | 200     | 65      | 60       | 90       | 140      | 175      | 18      | 42       | 30       | 70      | 10      | 113      | 70       | 370           | 480 |
| FV315     | 250     | 65      | 60       | 90       | 140      | 175      | 18      | 42       | 30       | 70      | 10      | 113      | 70       | 370           | 480 |
| FV315     | 315     | 65      | 60       | 90       | 140      | 175      | 18      | 42       | 30       | 70      | 10      | 113      | 70       | 370           | 480 |
| FV315     | 400     | 65      | 60       | 90       | 140      | 175      | 18      | 42       | 30       | 70      | 10      | 113      | 70       | 370           | 480 |

(\*) Breaking load with heat treated plates.

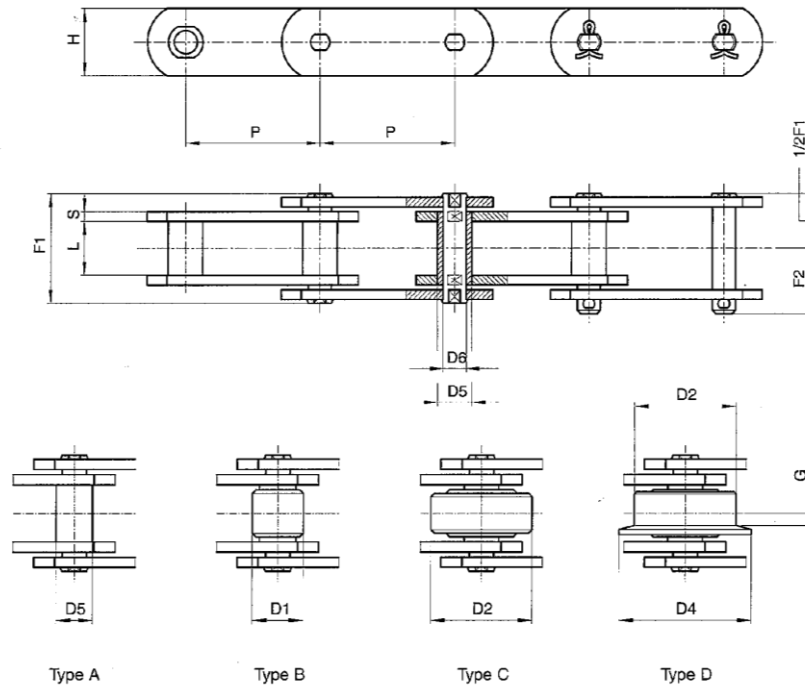
Available: in solid pin, hollow pin and deep link version.

with or without attachments.

in inch pitches according to British Standards (BS 4116)

# Conveyor Chain acc Din 8167

For Material & Bulk Handling Conveyor Systems  
(metric pitches / solid pin chains)



| Chain | P   | L  | D1 | D2  | D4  | G    | D5 | D  | H  | S  | F1 | F2   | Breaking load |     |
|-------|-----|----|----|-----|-----|------|----|----|----|----|----|------|---------------|-----|
| N     | mm  | mm | mm | mm  | mm  | mm   | mm | mm | mm | mm | mm | mm   | kN            | kN* |
| M112  | 80  | 32 | 30 | 60  | 75  | 7.5  | 21 | 15 | 40 | 6  | 63 | 36   | 112           | 175 |
| M112  | 100 | 32 | 30 | 60  | 75  | 7.5  | 21 | 15 | 40 | 6  | 63 | 36   | 112           | 175 |
| M112  | 125 | 32 | 30 | 60  | 75  | 7.5  | 21 | 15 | 40 | 6  | 63 | 36   | 112           | 175 |
| M112  | 160 | 32 | 30 | 60  | 75  | 7.5  | 21 | 15 | 40 | 6  | 63 | 36   | 112           | 175 |
| M112  | 200 | 32 | 30 | 60  | 75  | 7.5  | 21 | 15 | 40 | 6  | 63 | 36   | 112           | 175 |
| M160  | 100 | 37 | 36 | 70  | 90  | 8.5  | 25 | 18 | 50 | 7  | 72 | 41.5 | 160           | 260 |
| M160  | 125 | 37 | 36 | 70  | 90  | 8.5  | 25 | 18 | 50 | 7  | 72 | 41.5 | 160           | 260 |
| M160  | 160 | 37 | 36 | 70  | 90  | 8.5  | 25 | 18 | 50 | 7  | 72 | 41.5 | 160           | 260 |
| M160  | 200 | 37 | 36 | 70  | 90  | 8.5  | 25 | 18 | 50 | 7  | 72 | 41.5 | 160           | 260 |
| M160  | 250 | 37 | 36 | 70  | 90  | 8.5  | 25 | 18 | 50 | 7  | 72 | 41.5 | 160           | 260 |
| M224  | 125 | 43 | 42 | 85  | 105 | 10   | 30 | 21 | 60 | 8  | 84 | 47   | 224           | 340 |
| M224  | 160 | 43 | 42 | 85  | 105 | 10   | 30 | 21 | 60 | 8  | 84 | 47   | 224           | 340 |
| M224  | 200 | 43 | 42 | 85  | 105 | 10   | 30 | 21 | 60 | 8  | 84 | 47   | 224           | 340 |
| M224  | 250 | 43 | 42 | 85  | 105 | 10   | 30 | 21 | 60 | 8  | 84 | 47   | 224           | 340 |
| M224  | 315 | 43 | 42 | 85  | 105 | 10   | 30 | 21 | 60 | 8  | 84 | 47   | 224           | 340 |
| M315  | 160 | 48 | 50 | 100 | 124 | 10.5 | 36 | 25 | 70 | 10 | 97 | 55   | 315           | 520 |
| M315  | 200 | 48 | 50 | 100 | 124 | 10.5 | 36 | 25 | 70 | 10 | 97 | 55   | 315           | 520 |
| M315  | 50  | 48 | 50 | 100 | 124 | 10.5 | 36 | 25 | 70 | 10 | 97 | 55   | 315           | 520 |
| M315  | 315 | 48 | 50 | 100 | 124 | 10.5 | 36 | 25 | 70 | 10 | 97 | 55   | 315           | 520 |
| M315  | 400 | 48 | 50 | 100 | 124 | 10.5 | 36 | 25 | 70 | 10 | 97 | 55   | 315           | 520 |

(\*) Breaking load with heat treated plates  
Available: in solid pin, hollow pin and deep link version.  
with or without attachments  
in inch pitches acc. to British Standards (BS 4116)