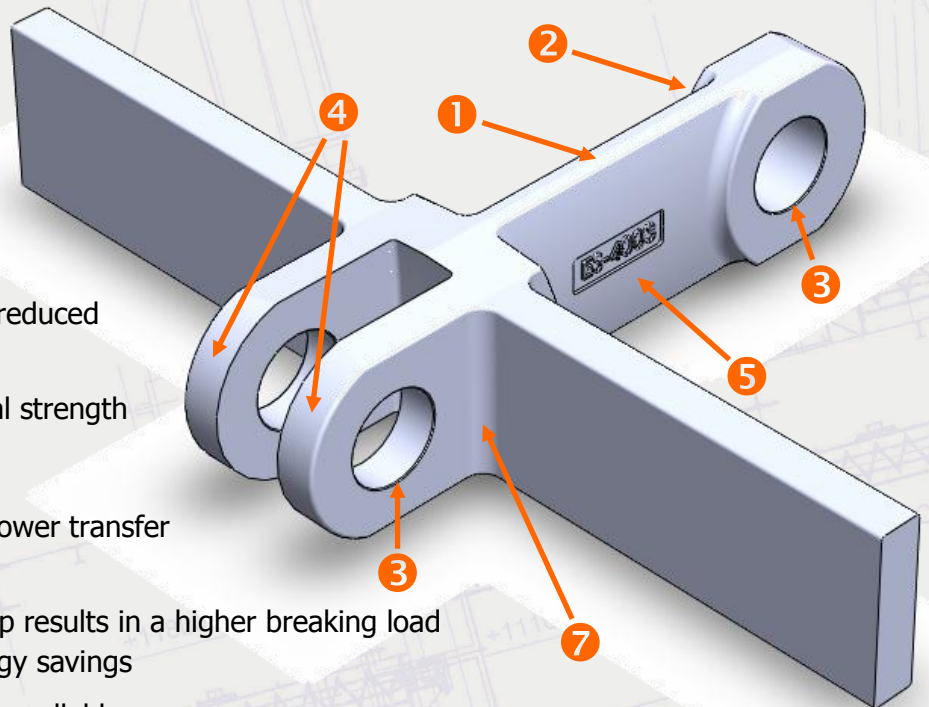
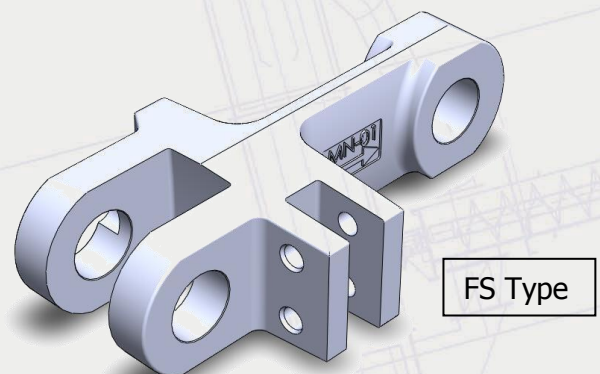
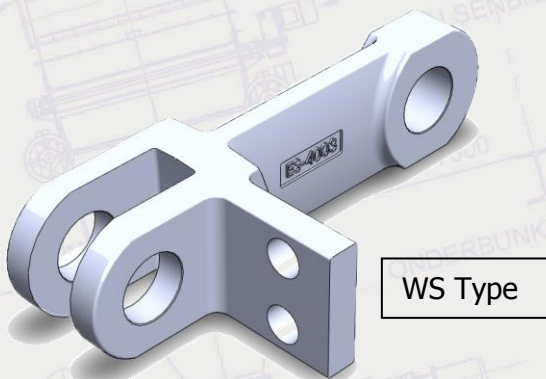


FORKED CHAIN Program

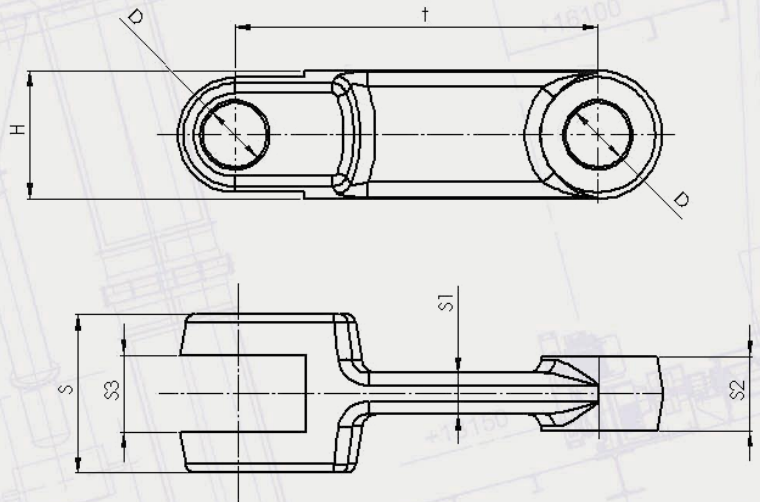
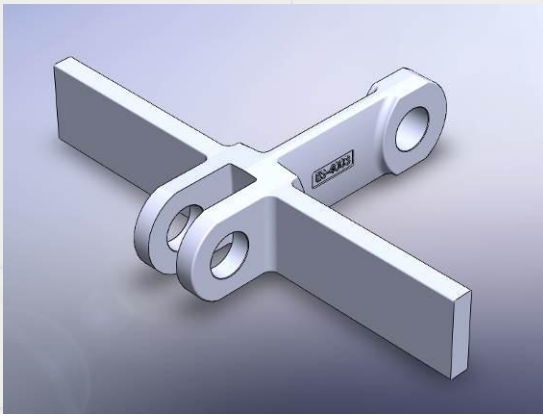


- 1 larger contact surface results in reduced wear and extended life time
- 2 bigger tail radius improves lateral strength
- 3 deburred bores at exact pitch
- 4 parallel milled fork for uniform power transfer to the sprocket wheel
- 5 rounded body & minimized stamp results in a higher breaking load with even lower weight and energy savings
- 6 cnc machining for exact pitch & parallel bores
- 7 welding guaranteed by a fully automated & quality controlled process
- 8 constantly improved design based on field experience in conveyor systems
- 9 forged in cnc molds, sandblasted and deburred
- 10 improved heat treatment for extended life time and maximized strength



ESCC FC 1/7

FORKED CHAIN
Pitch 101,6 & 142 mm



Chain type t x H x S2 [mm]	Dimensions (Other dimensions available)						
	t [mm]	H [mm]	S2 [mm]	D [mm]	S [mm]	S3 [mm]	S1 [mm]
101,6 x 36 x 9	101,6	36	9	14	24	10	6
101,6 x 36 x 13	101,6	36	13	14	30	14	8
142 x 50 x 19	142	50	19	25	42	20	12
142 x 50 x 25	142	50	25	25	54	26	15
142 x 50 x 29	142	50	29	25	62	30	16

Chain type t x H x S2 [mm]	Specifications (Other materials, including stainless available)					
	Material	Type	Breaking load [kN] ±10%	Surface Hardness HRC	Case hardening depth acc. DIN 50190 EHT 550 HV3 [mm]	Weight per link [kg]
101,6 x 36 x 9	20 MnCr5	E	110	58-60	0,8 – 1,0	0,38
	42 CrMo4	V	170	34-40	Through hardened	0,38
101,6 x 36 x 13	20 MnCr5	E	150	58-60	0,8 – 1,0	0,48
	42 CrMo4	V	250	34-40	Through hardened	0,48
142 x 50 x 19	20 MnCr5	E	300	58-60	0,8 – 1,0	1,15
	42 CrMo4	V	550	34-40	Through hardened	1,15
142 x 50 x 25	20 MnCr5	E	410	58-60	0,8 – 1,0	1,50
	42 CrMo4	V	740	34-40	Through hardened	1,50
142 x 50 x 29	20 MnCr5	E	480	58-60	0,8 – 1,0	1,70
	42 CrMo4	V	800	34-40	Through hardened	1,70

Type V:

- Through Hardened
- For high tensile loads
- Partially reversible

Type E:

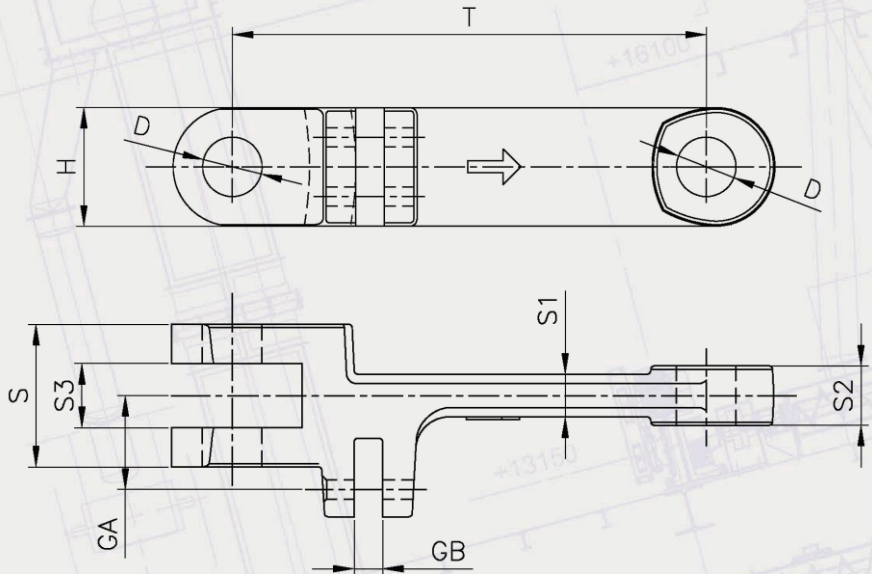
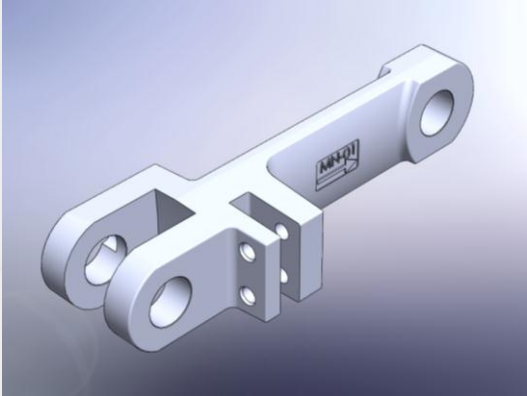
- Case Hardened
- Highly wear resistant for abrasive applications
- Partially reversible

Surface finish:

- Natural black
- Tectyl coated
Brown, wax-like coating
Layer thickness 30-50 µm
For short-term protection during storage



FORKED CHAIN Pitch 200 & 250 mm



Chain type	Dimensions (Other dimensions available)									
	t x H x S2	t	H	S2	D	S	S3	S1	GA	GB
[mm]	[mm]	[mm]	[mm]	[mm]	[mm]	[mm]	[mm]	[mm]	[mm]	[mm]
200 x 50 x 25	200	50	25	25	60	27	18	39,5	12,5	
250 x 60 x 30	250	60	30	30	70	31	21	44,5	12,5	

Chain type	Specifications (Other materials, including stainless available)						
	t x H x S2	Material	Type	Breaking load	Surface Hardness	Case hardening depth	Weight per link
[mm]				[kN] ±10%	HRC	acc. DIN 50190 EHT 550 HV3 [mm]	[kg]
200 x 50 x 25	20 MnCr ₅	E	410	58-60	0,8 – 1,0	3,20	
	42 CrMo ₄	V	740	34-40	Through hardened	3,20	
250 x 60 x 30	20 MnCr ₅	E	450	58-60	0,8 – 1,0	3,60	
	42 CrMo ₄	V	840	34-40	Through hardened	3,60	

Type V:

- Through Hardened
- For high tensile loads
- Partially reversible

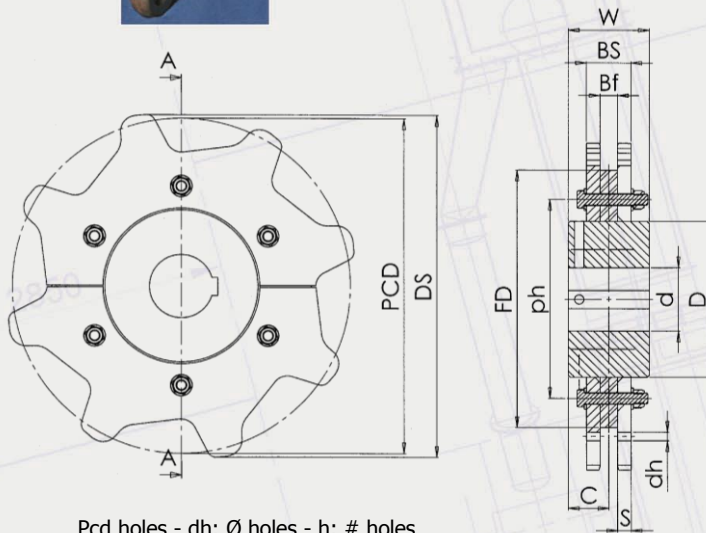
Type E:

- Case Hardened.
- Highly wear resistant for abrasive applications
- Partially reversible

Surface finish:

- Natural black
 - Tectyl coated
- Brown, wax-like coating
Layer thickness 30-50 µm
For short-term protection during storage

FORKED CHAIN Sprockets



Pcd holes - dh: Ø holes - h: # holes



Dimensions (Other dimensions available)

For pitch	Teeth	PCD [mm]	DS	BS	S	D	d max.	d preb.	B	C	FD	Weight [kg]	Weight [kg]
t=142												142 x 50 x 19	142 x 50 x 29
	6	284	304	45/60	15/20	120	60	30	90	45	192	22	26
	8	371	390	45/60	15/20	180	90	30	100	50	285	47	55
	10	460	480	45/60	15/20	240	120	30	110	55	378	82	92
	12	549	570	45/60	15/20	330	165	30	110	55	474	130	145
	14	638	660	45/60	15/20	450	225	30	110	55	565	160	175

Dimensions (Other dimensions available)

For pitch	Teeth	PCD [mm]	DS	BS	S	D	d max.	d preb.	B	C	FD	Weight [kg]	Weight [kg]
t=200												200 x 50 x 25	
	6	400	420	60	20	200	100	30	100	50	287	ca. 60	-
	8	523	544	60	20	250	125	30	110	55	466	ca. 100	-
	10	647	667	60	20	300	150	30	110	55	560	ca. 135	-
	12	773	792	60	20	450	225	30	120	60	716	ca. 200	-
	14	899	920	60	20	450	225	30	120	60	842	ca. 240	-

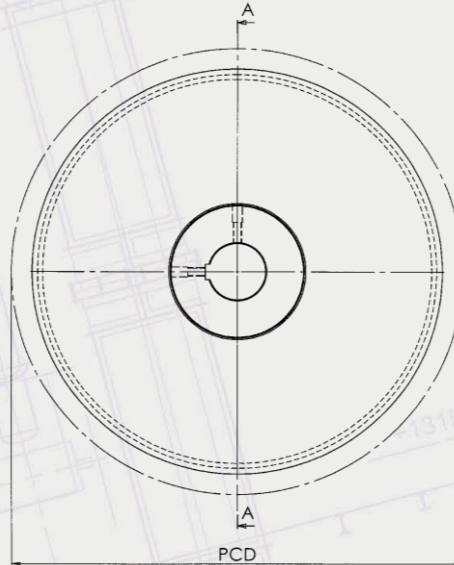
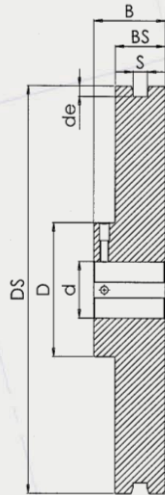
Multiple part sprocket wheels

- Wheels are manufactured tailor made according to customer drawings
- The chain wheels are manufactured from C45 or 42CrMo4, the teeth profiles are flame hardened or on customers request induction hardened.
- The toothed rim segments can be exchanged on the installed hubs.
- Wheels can be delivered completely finished with bore and keyway acc. to specifications (max. bore diam = D max. / D prebore = 30mm)
- Ask for our 2-Drive segments, having a doubled life time



2-Drive segments
ESCC FC 4/7

FORKED CHAIN Reversing Wheels



Dimensions (Other dimensions available)

For pitch	Teeth equiv	PCD [mm]	DS	BS	de	D	d	B	Weight [kg]	Weight [kg]
t=142									142 x 50 x 19	142 x 50 x 29
	6	284	230	50/70	12	200	30	60/80	20	25
	8	371	320	50/70	12	250	30	60/80	40	47
	10	460	410	50/70	12	350	30	60/80	65	75
	12	549	490	50/70	12	350	30	60/80	75	85
	14	638	580	50/70	12	450	30	60/80	90	110

Dimensions (Other dimensions available)

For pitch	Teeth equiv	PCD [mm]	DS	BS	de	DS	d	B	Weight [kg]	Weight [kg]
t=200									200 x 50 x 25	
	6	420	370	60	12	300	30	70	65	-
	8	544	490	60	12	350	30	70	85	-
	10	667	590	60	12	450	30	70	115	-
	12	792	740	60	12	600	30	70	150	-
	14	920	860	60	12	750	30	70	220	-

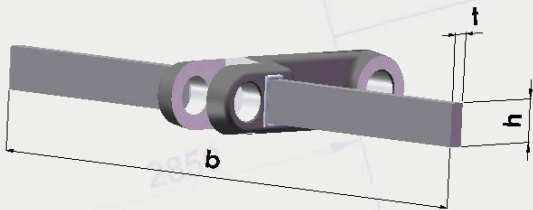
One part reversing wheels

- Wheels are manufactured tailor made according to customer drawings
- Material C45 or 42CrMo4.
- Treads are induction hardened
- Wheels can be delivered completely finished with bore and keyway acc. to specifications (D prebore = 30mm)



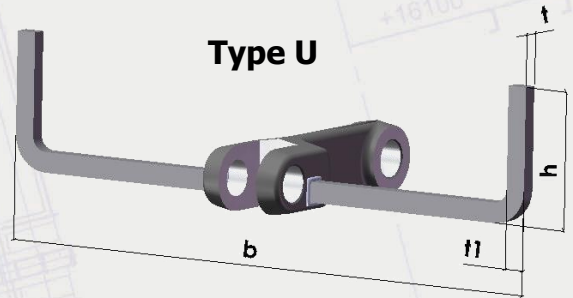
FORKED CHAIN Assembly Questionnaires

Type T or BT



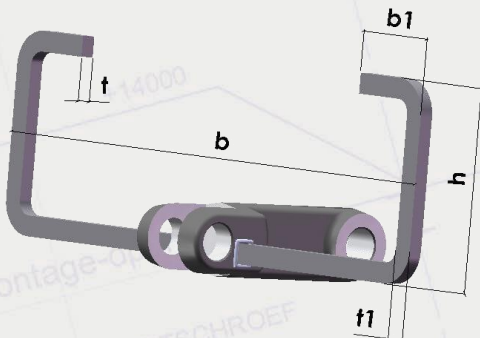
h =	b =	t =	
------------	------------	------------	--

Type U



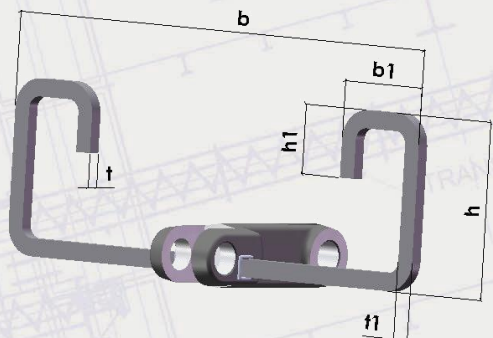
h =	b =	t =	t₁ =
------------	------------	------------	------------------------

Type C



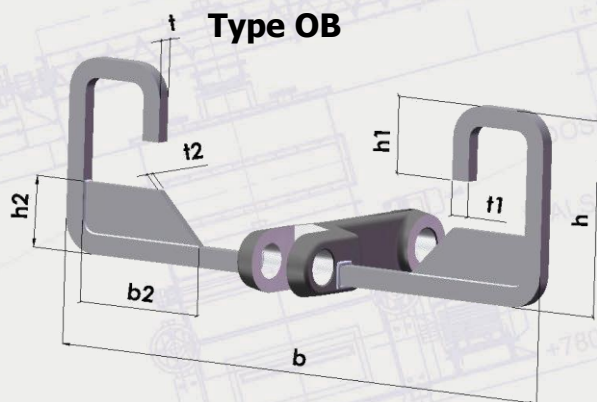
h =	b =	b₁ =	t =
t₁ =			

Type O

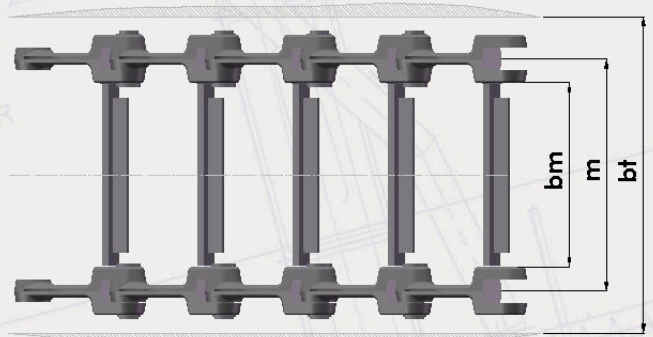


h =	h₁ =	b =	b₁ =
t =	t₁ =		

Type OB



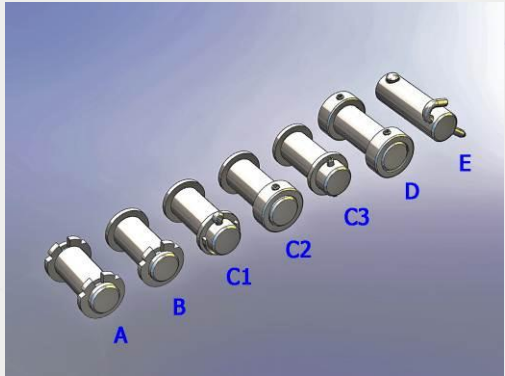
h =	h₁ =	b =	b₁ =
t =	t₁ =		
Schild:	h₂ =	b₂ =	t₂ =



b_m =	m =	b_t =
------------------------	------------	------------------------



FORKED CHAIN Pin types & Wear strips



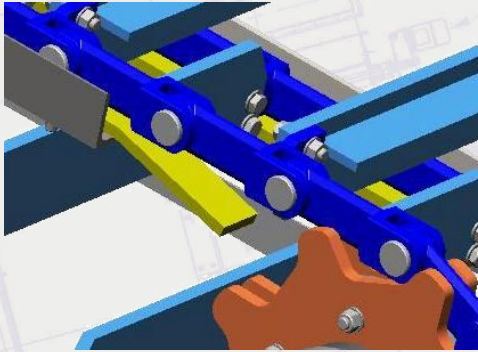
Pin type	Description
	Available for all chain types
A	Headless Pin with 2 circlips
B	Headed Pin with 1 circlip
C1	Headed Pin with washer and split pin
C2	Headed Pin with 1 collar and spring pin
C3	Headed Pin with washer and spring pin
D	Headless Pin with 2 collars and spring pins
E	Headless Anti Rotation Pin with locking pins



Pin Materials	Specifications			
Material	Material N°	Type of hardening	Surface Hardness HRC	Case hardening depth mm
C15	1.0401	Case hardened	58-60	0,8-1,0
45	1.0503	Inductive hardened	58-62	1,5-2,0
16MnCr5	1.7131	Case hardened	58-60	0,8-1,0
42CrMo4	1.7225	Inductive hardened	53-55	1,5-2,0
X46Cr13	1.4034	Inductive hardened	50-55	1,0-1,2

Wear strips

Chain is often carried on wear resistant steel strips.
 The wear strips are available in a range of sizes, in different wear resistant metals and different shapes (plain, grooved)
 Also available in thermoplastics such as HMPE 1000



Wear Strips Specifications			
Material	Surface Hardness		Max Temperature in service °C
	HBN	HRC	
Manganese steel, X120Mn12, 1.3401	200	14	150
42MnV7, 1.0503	250	24	200
Roc 250	250	24	250
Roc 400	400	44	250
Creusabro 4800	400	44	450/550
Creusabro 8000	540	55	350/450

ESCC FC 7/7