

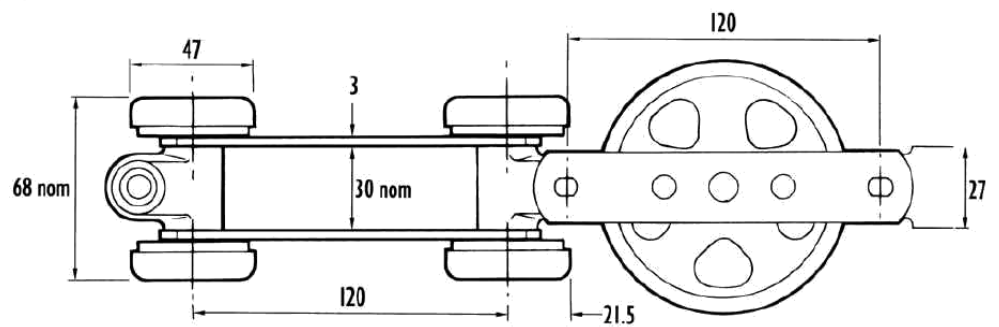
Bi-Planar Conveyor Chain

MAG 3 & MAG 5

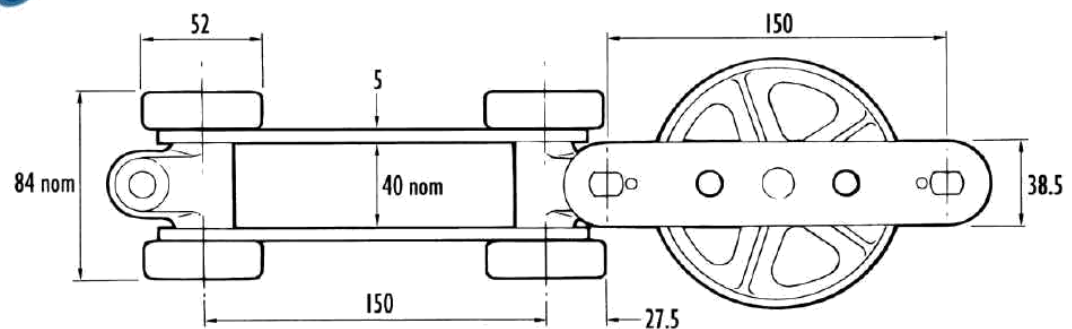
	MAG3	MAG5
U.T.S.	2650 kg	9800 kg
Max. Load	50 kg	90 kg
Max. Chain Pull	408 kg	1630 kg
Weight	6,2 kg/m	8,0 kg/m

Used mainly in clean room environment abattoirs, on overhead and light power & free conveyor applications

MAG 3



MAG 5



ESCCBP1

Research Park Haasrode 1529
 Interleuvenlaan 21 • B-3001 Leuven (Belgium)
 T +32 (0)16 400 463 • F +32 (0)16 400 252
 info@entecom.be • www.entecom.be



Entecom
 chain conveyor technology